

# INNO-FLEX-Distribution Box FOR COMFORT VENTILATION

## System Components

### Properties

- Flex distribution box\* specifically made for ventilation, for fast, flexible installation as central or Flat distribution
- multifunktionale and modular design ensures time savings for the installation in-situ concrete or filigree ceilings, wooden stand, etc.
- fast and functional processing without special tools
- light weight, high stiffness
- based on environmentally friendly material (HDPE) and use of hygienic, safe new material odorless
- by anti-static nature of minimal dust deposits
- tested - no measurable concentration of pollutants in the air
- hygienic conditions, according to german VDI 6022

The distribution box element is used as:

- Central distributor for the installation, for example in the equipment room
- Floor distributor for installation in plaster, concrete floor and ceiling
- Area distributor for installation in suspended ceilings, walls or wood stud walls
- Distribution with 6, 12 or 18 outlets, depending on demand combined (over-or side by side)
- Air-tightness after DIN EN 1610 for the use of special seals on the tubing connections
- the use of different tube diameters, a reducer can be used

\* **Utility model protection**

### Components

Basic Element::

- compact dimensions LxWxH: 400x400x84 mm
- Basic unit with 2 connections (top and bottom) for sockets to connect the supply / discharge, or to extend one other basic element, easy to open by hammer-break edge
- 6 connecting pieces (3 each left and right) for flex pipe NW 75/63. Factory-sealed airtight with saw edge for easy and clean opening of the required exits
- Revision molded lid, hermetically sealed at the factory to open as needed to simply saw edge, snap-in connection to the tight closure
- expanded and combined as a central or flat distribution with 6, 12 or 18 outlets

connecting pieces can be used flexibly as:

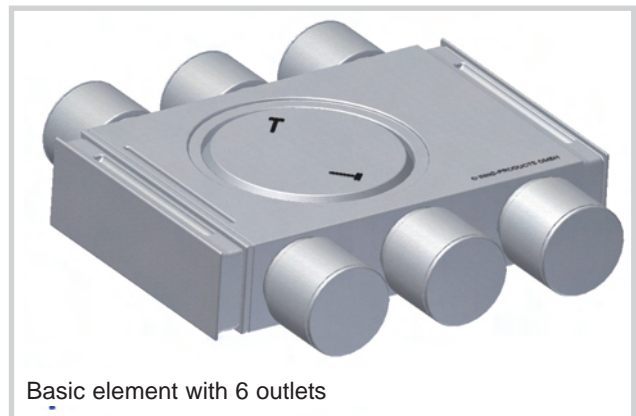
- Connector of the basic factors in central distributors, to plan together and share
- Connection pipe L = 50mm for pipes NW 180 (inside), by simply shortening at a given saw edge
- Connection pipe L = 50mm for pipes DN 150 (inside)

### Connections

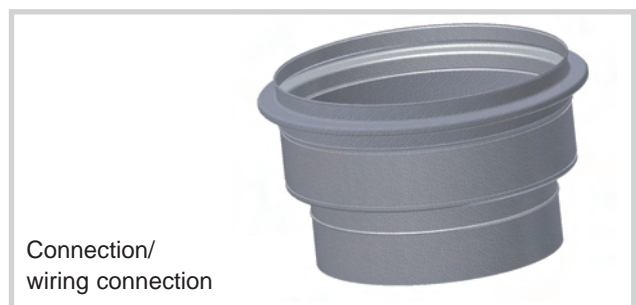
- quick and easy installation with click connectors
- airtight by the use of sealing rings
- short installation time
- flexible, needs-based combination allowed
- safe installation, as it is completely avoided by the use of HDPE material sparks
- hygienically safe

### Assembly

Inno-Flex as a central distribution manifold can both stacked on each other than be expanded in series in a row. For use as a floor or zone distribution in concrete or stud walls lends itself to the low height of 84mm a series arrangement.



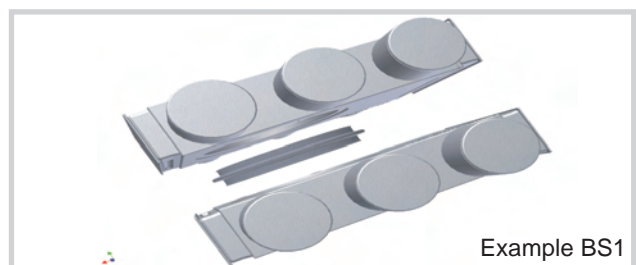
Basic element with 6 outlets



Connection/  
wiring connection



Example BS2



Example BS1

# INNO-FLEX-Distributor FOR COMFORT VENTILATION

## System Components

### Installation instructions

There are sawn edges and hammer-breaking edge for easy opening and dimension accuracy of links and connections available.

### Connecting Distribution Boxes:

By hitting the hammer-marked symbols on the cover of the main body Unter-/Oberseite the connections for the connection / connection-connection to be opened (1). Through one-click of the nozzle (A) in the body it can be used as a tube connecting NW 150. By shortening the vent with saw edge (C) it can be used for pipes DN 180, by cutting to saw edge (B) as a connector for 2 main body of each other (BS 1).

### Base plate / access opening:

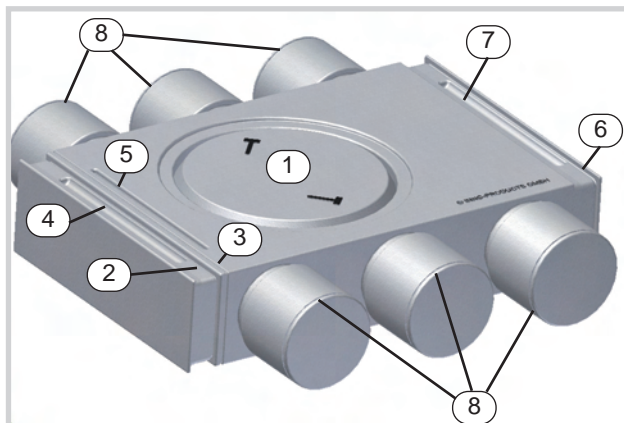
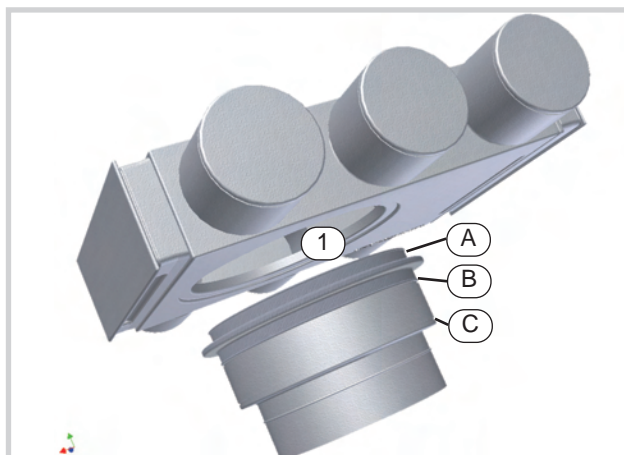
On the sawing edge (2), an inspection cover to be removed, which closes after opening of the main body of saw edge (3) by means of a click connection (4.5) the main body again. Alternatively, two basic body be placed in series (BS2) by the 1 Main body of saw edge (3) and the 2nd body is to saw edge (6) open. The main body by means of clicking links (5.7) and interlocked.

### Flex-hose nozzle / reductions:

Depending on the number of required hose connections, the connection to saw edge (8) are opened. This has the advantage that the unused ports remain sealed and no additional caps are needed. On the flex hose is inserted into the second groove, a sealing ring. We recommend that the concrete, an additional safety assurance by adhesive or cold shrinking tape. It is possible the connection of the body, the multifunctional use to rejuvenate with a Reduzierteil on NW 63.

This will leave the hose diameter NW 63/52 process with the same basic body. The seal and connection is made by means of a sealing ring.

**Note:** Different tube dimensions should not be built mixed.



### Note:

The multi-functional distribution with accessories is in its type, design and functionality registered as utility models, it is also the safeguard content in the Valve Connection (Nr. 20 2006 013 503.0).

### Ordering information

**Flex-distribution box with 6 nozzle NW 75 for connection of flexible ducts and 2 connectors NW 180 for connecting pieces.**  
LxWxH: 400x400x84 mm (W including socks)

**Connection duct NW 180mm/150mm**  
- For connecting two main bodies of each other  
- Connection for pipes NW 180mm and NW 150 mm

**Distribution box 6-fold**, consisting of 1 base, 1-port connector

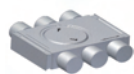
**Distribution box 12-fold, flat manifold, 12 ports 75**, consisting of 2 base, 1-port connector

**Distribution box 12-fold, central, 12 ports 75** consisting of 2 base, 2 connecting pieces

**Distribution box 18-fold, flat manifold, 18 ports 75**, consisting of 3 base, 1-port connector

**Distribution box 18-fold, central, 18 ports 75** consisting of 3 base, 3 connecting pieces

**Reducing 75/63, L - 117 mm**



FVGK 6/75	Art.-Nr.	2.020
FVS 180/150	Art.-Nr.	2.021
FV6	Art.-Nr.	2.022
FV12-F	Art.-Nr.	2.023
FV12-Z	Art.-Nr.	2.024
FV18-F	Art.-Nr.	2.025
FV18-Z	Art.-Nr.	2.026
RS 75/63	Art.-Nr.	2.015